



## Service Bulletin

Date:

9/12/2025

Affected Models:

All vehicles

Internal or External Use:

Both

## Bulletin Title

BMC Banjo Bolt Replacement

## Reason

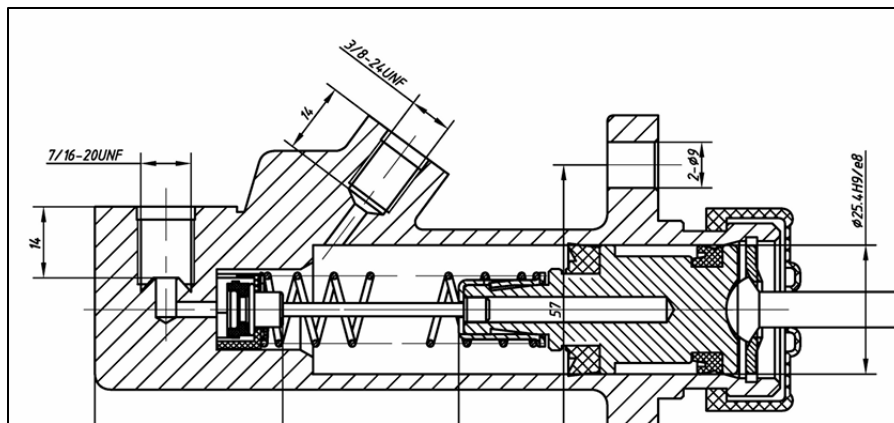
To upgrade components for a higher level of safety

## Action

The two banjo bolts on the brake master cylinders should be replaced with stainless steel bolts. Below are the sizes for the two banjo bolts.

Bolt	Thread	Suggested Replacement
Bolt A	3/8-24UNF	HSE-332-03-2
Bolt B	7/16-20UNF	HSE-332-04

See the diagram below for location of each bolt on the master cylinder



## Part Replacement

Bolt A and B along with their crush washers should be replaced during the next brake bleed.